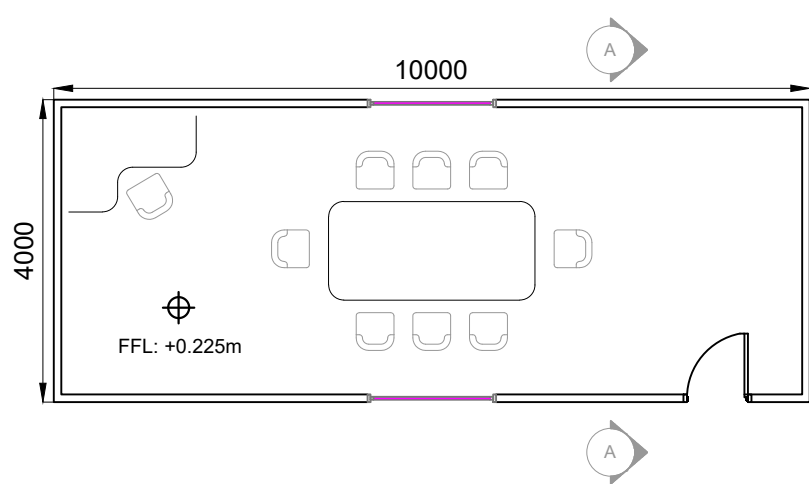


**KEYPLAN**  
NTS

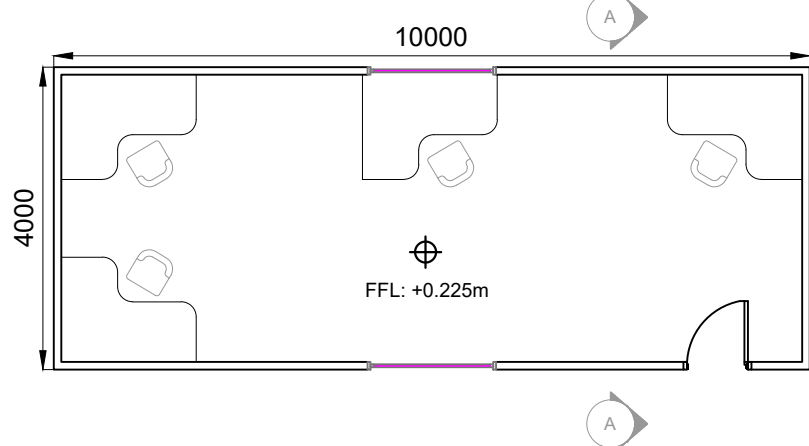
**CONTRACTORS COMPOUND - LAYOUT PLAN**  
SCALE 1:250

- NOTES:**
- DRAWINGS FOR PLANNING PURPOSES ONLY.
  - FIGURED DIMENSIONS ONLY TO BE TAKEN FROM THIS DRAWING.
  - GRID REFERENCES TO IRISH NATIONAL GRID.
  - ALL LEVELS SHOWN RELATE TO ORDNANCE SURVEY DATUM AT MALIN HEAD

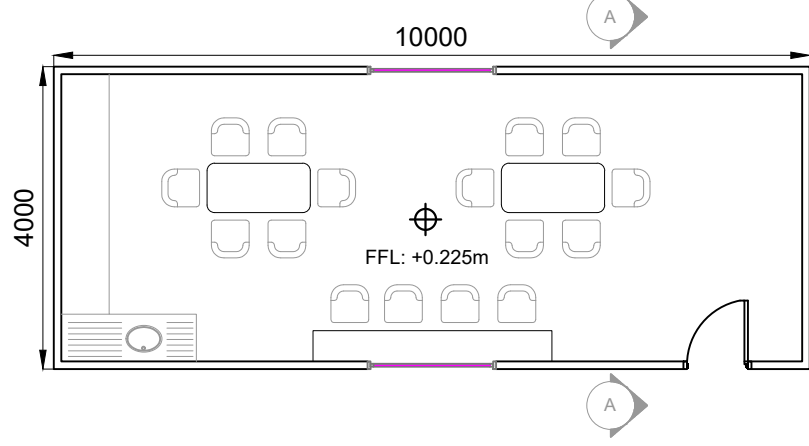
Rev	Date	Description	By	Chkd.
A	22.03.23	Planning Issue	EB	MN



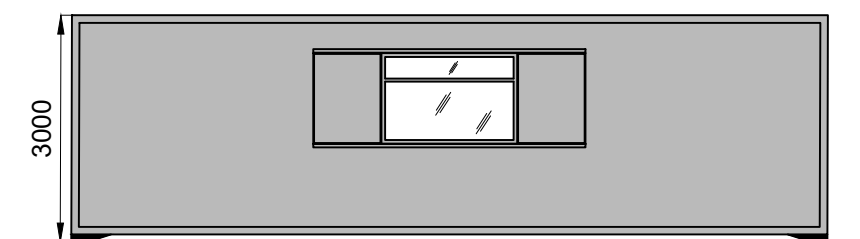
**10m x 4m MEETING ROOM - FLOOR PLAN**  
SCALE 1:100



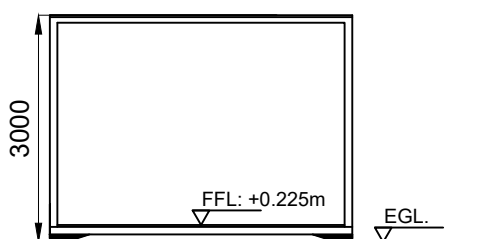
**10m x 4m SITE OFFICE - FLOOR PLAN**  
SCALE 1:100



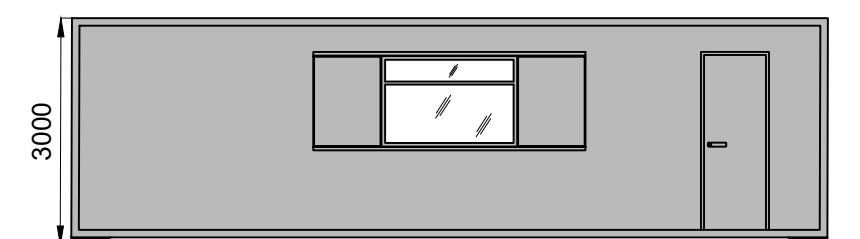
**10m x 4m CANTEEN - FLOOR PLAN**  
SCALE 1:100



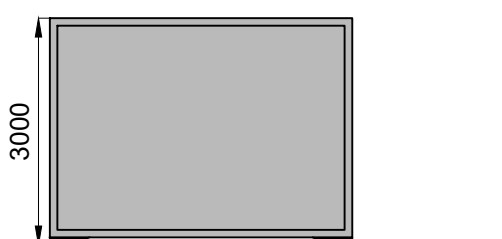
**TYPICAL 10m x 4m UNIT - REAR ELEVATION**  
SCALE 1:100



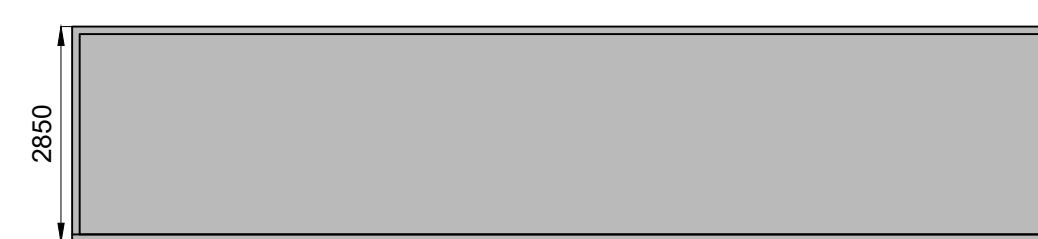
**TYPICAL 10m x 4m UNIT - SECTION A-A**  
SCALE 1:100



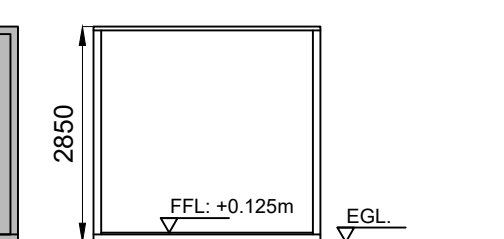
**TYPICAL 10m x 4m UNIT - FRONT ELEVATION**  
SCALE 1:100



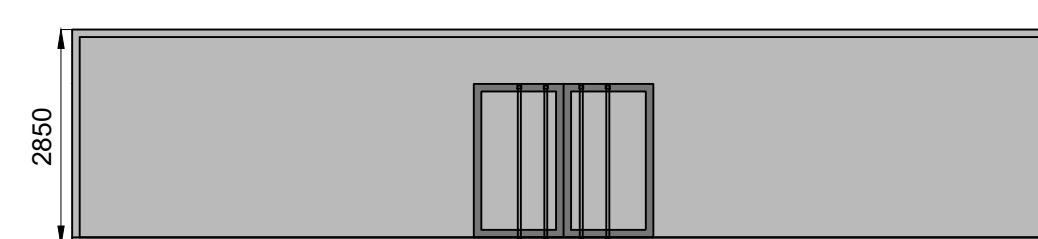
**TYPICAL 10m x 4m UNIT - SIDE ELEVATION**  
SCALE 1:100



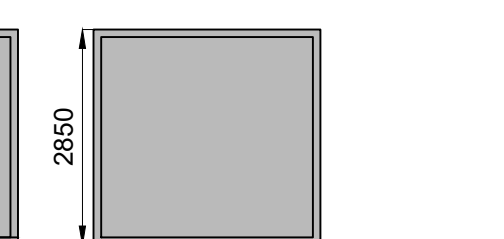
**TYPICAL STORAGE UNIT - REAR ELEVATION**  
SCALE 1:100



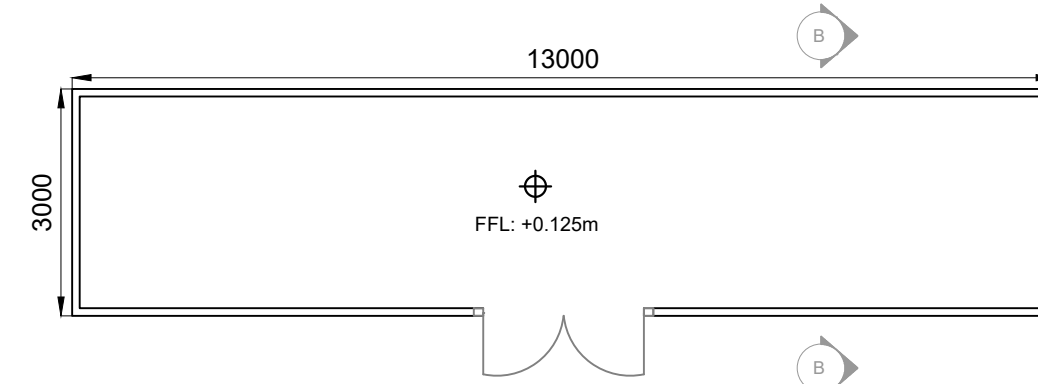
**TYPICAL STORAGE UNIT SECTION B-B**  
SCALE 1:100



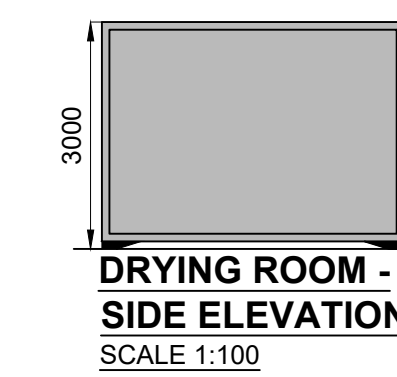
**TYPICAL STORAGE UNIT - FRONT ELEVATION**  
SCALE 1:100



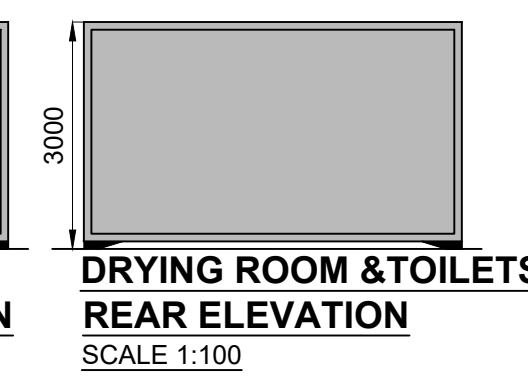
**TYPICAL STORAGE UNIT SIDE ELEVATION**  
SCALE 1:100



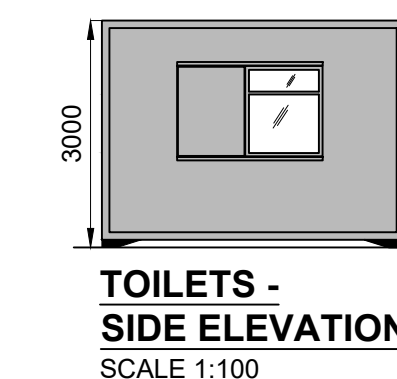
**TYPICAL STORAGE UNIT - PLAN**  
SCALE 1:100



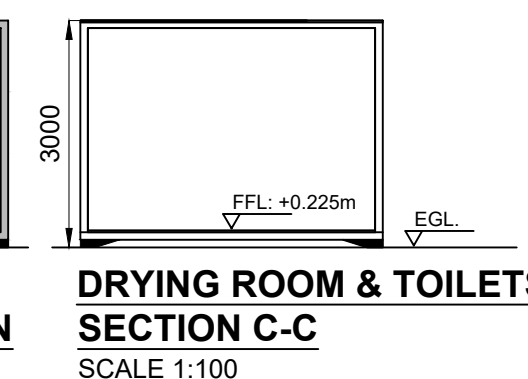
**DRYING ROOM - SIDE ELEVATION**  
SCALE 1:100



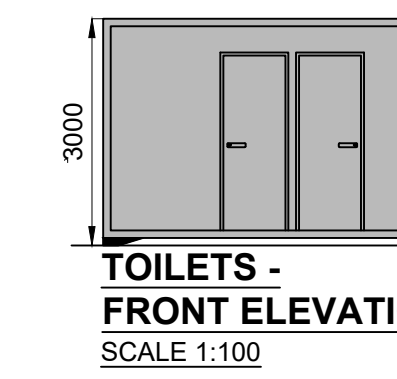
**DRYING ROOM & TOILETS - REAR ELEVATION**  
SCALE 1:100



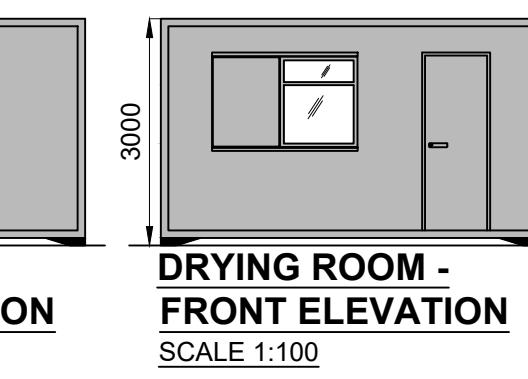
**TOILETS - SIDE ELEVATION**  
SCALE 1:100



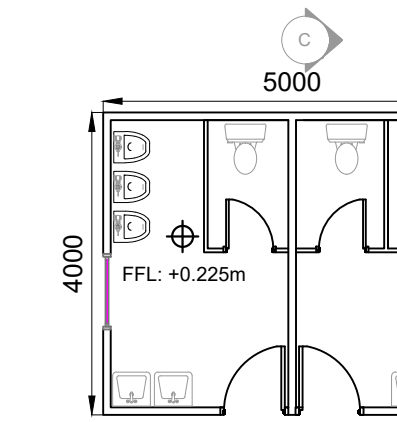
**DRYING ROOM & TOILETS - SECTION C-C**  
SCALE 1:100



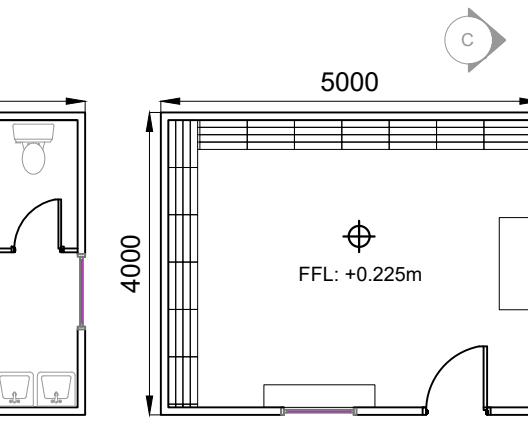
**TOILETS - FRONT ELEVATION**  
SCALE 1:100



**DRYING ROOM - FRONT ELEVATION**  
SCALE 1:100



**TOILETS - FLOOR PLAN**  
SCALE 1:100



**DRYING ROOM - FLOOR PLAN**  
SCALE 1:100

Client: **Bord na Móna**

Project: **OWENINNY WIND FARM PHASE 3**

Title: **PROPOSED TEMPORARY SITE COMPOUND 4 PLAN & ELEVATIONS**

Scale @ A1: **As Shown**

Prepared by: **E. Beggs** Checked: **M. Nolan** February 23

Project Director: **B. Gallagher**

Drawing Status: **Planning**

**TOBIN CONSULTING ENGINEERS**

Block 10-4, Blanchardstown Corporate Park, Dublin 15, Ireland.  
tel: +353-(0)1-8030406  
fax: +353-(0)1-8030409  
e-mail: dublin@tobin.ie  
www.tobin.ie

TOBIN Consulting Engineers will not be liable for any use of this document for any purpose other than that for which it was originally prepared and intended. Enquiries, where appropriate, should be made to the originator of this document. No responsibility is accepted for any errors or omissions in this document and the document shall not be relied upon by any third party for any purpose.

Drawing No.: **10889-2028** Revision: **A**