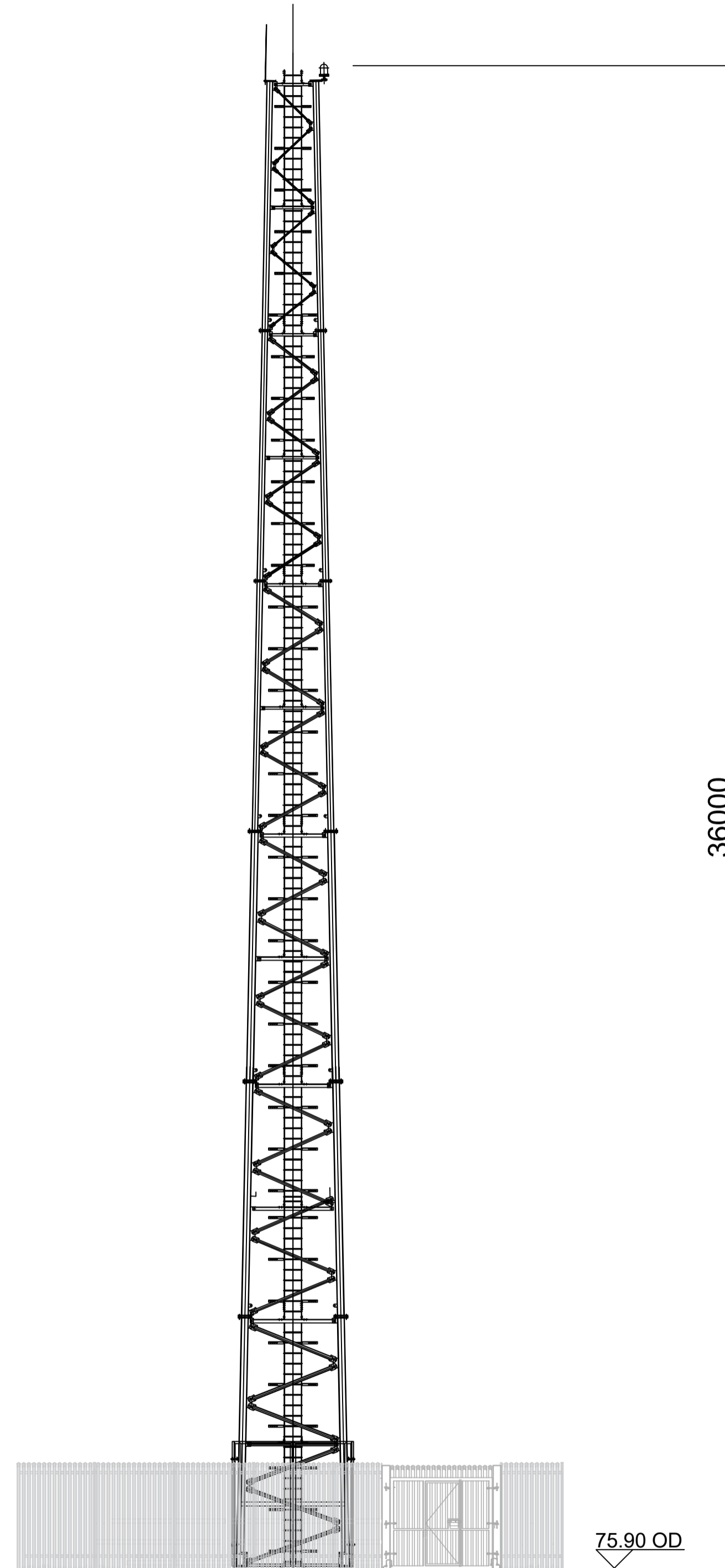
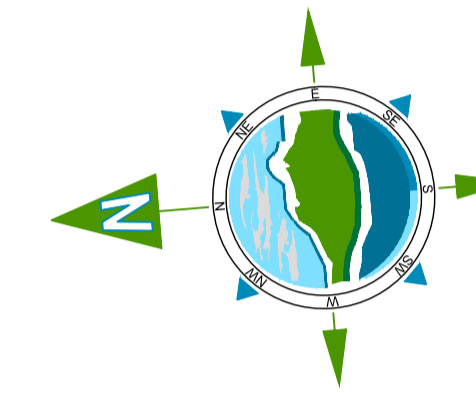
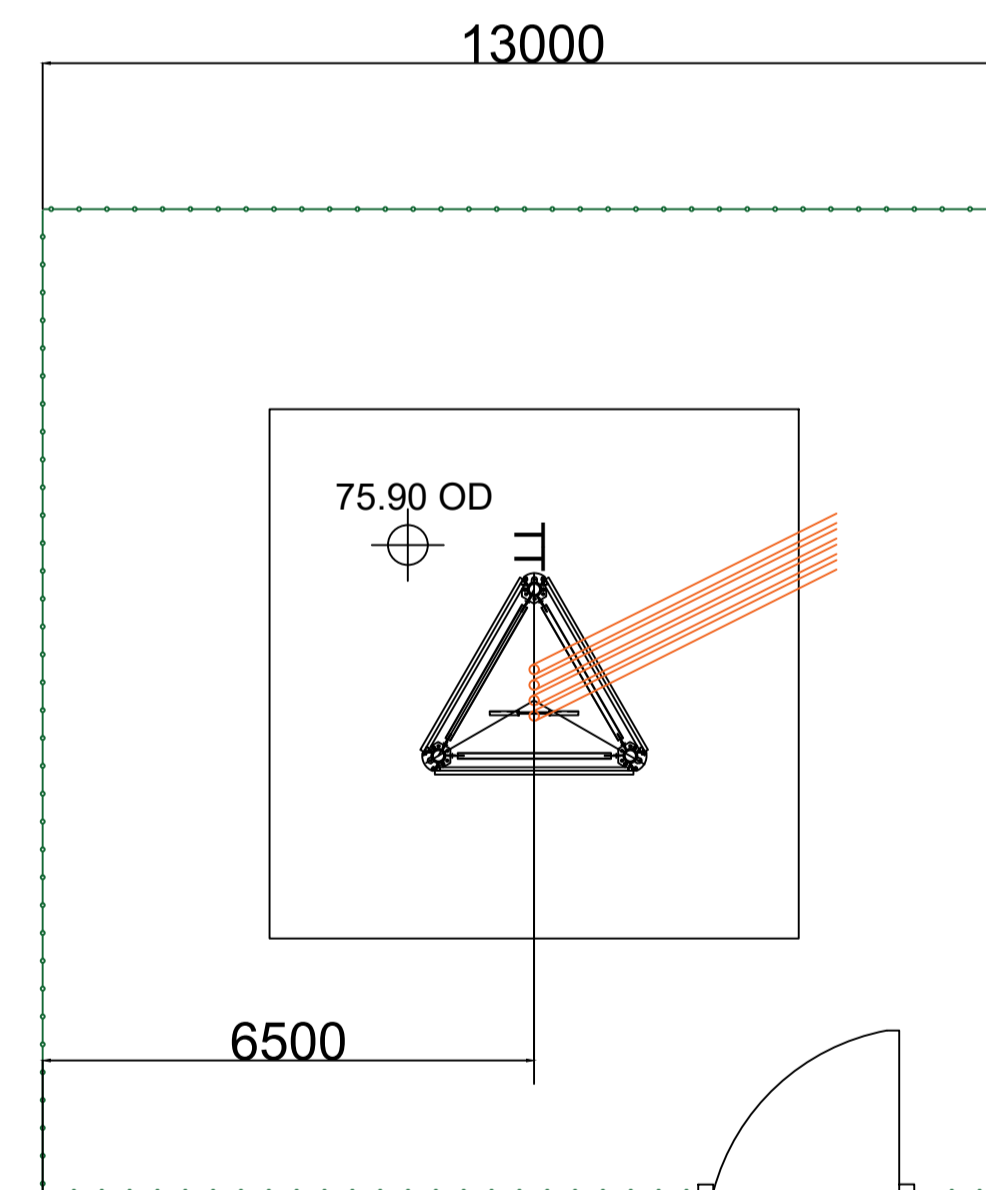


NOTES:

1. ALL DIMENSIONS NOTED ARE IN MM
2. DRAWING IS FOR PLANNING PURPOSES ONLY
3. EQUIPMENT/STRUCTURE DETAILS ARE INDICATIVE AND WILL BE FINALISED DURING DETAILED DESIGN
4. DETAILED DESIGN SHALL BE CARRIED OUT IN LINE WITH SYSTEM OPERATOR AND ASSET OWNER SPECIFICATIONS



TELCOM TOWER STRUCTURE VIEW



TELCOM TOWER COMPOUND

NOTES:

1. DRAWINGS FOR PLANNING PURPOSES ONLY.
2. FIGURED DIMENSIONS ONLY TO BE TAKEN FROM THIS DRAWING.
3. GRID REFERENCES TO IRISH NATIONAL GRID.
4. ALL LEVELS SHOWN RELATE TO ORDANCE SURVEY DATUM AT MALIN HEAD

Rev	Date	Description	By	Chkd.
A	22.03.23	PLANNING ISSUE	EB	MN

Client:

Bord na Móna

Project:

OWENINNY
WIND FARM PHASE 3

Title:

PROPOSED TELECOMS
MAST DETAILS

Scale @ A1: 1:100

Prepared by: E. Beggs Checked: M. Nolan February 23

Project Director: B. Gallagher

Drawing Status: Planning

TOBIN
CONSULTING ENGINEERS

Block 10-4, Blanchardstown Corporate Park,
Dublin 15, Ireland.
tel: +353-(0)1-8030406
fax: +353-(0)1-8030409
e-mail: dublin@tobin.ie
www.tobin.ie

TOBIN Consulting Engineers will not be liable for any use of this document for any purpose other than that for which it was originally prepared and provided. Enquiries, reproduction, modification, copying, distribution, or any other act in relation to this document shall not be permitted without the prior written consent of TOBIN Consulting Engineers. TOBIN Consulting Engineers shall not be liable for any loss or damage, whether direct or indirect, arising from the use of this document.

Drawing No.: 10889-2065

Revision: A